

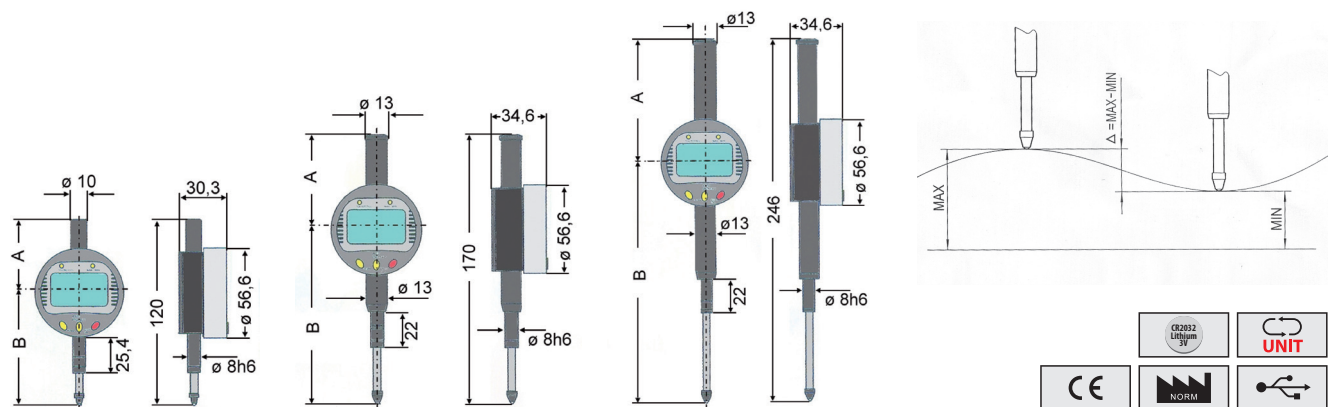
## Electr. Digital Dial Indicator

- standard model for industry and craft
- with data output

- aluminium housing with sturdy plastic cover
- large LCD display with clear reading, digit height 10 mm
- stem and spindle stainless, hardened and lapped
- exchangeable probe tips, M 2.5
- On/Off button, ABS and Preset function
- zero setting at any position, mm/inch switchable
- with bar display (art.-no.: 242055, 242056 and 242057)
- min./max., tol. and set function (selection and indication of tolerance limits)
- with flat backcover and backcover with lug
- incl. 1x 3 V battery (type CR2032, art.-no.: 90112), with operation manual

### Option

- data transfer via cable, art.-no.: 2420192, see page 334



ART No	mm / inch	mm / inch	mm	mm	measuring force N	min/max tol/set	A mm	B mm	
242060	0 – 12.7 / 0 – 0.5	0.01 / 0.0005	0.010	0.010	< 1.50	✓	50	75	on request
242055	0 – 12.7 / 0 – 0.5	0.001 / 0.00005	0.003	0.05	< 1.50	✓	50	75	on request
242160	0 – 12.7 / 0 – 0.5	0.001 / 0.00005	0.003	0.05	< 1.50	✓	50	75	on request
242163	0 – 25.4 / 0 – 1.0	0.01 / 0.0005	0.010	0.015	< 1.50	✓	60	120	on request
242056	0 – 25.4 / 0 – 1.0	0.001 / 0.00005	0.003	0.05	< 1.50	✓	60	110	on request
242161	0 – 25.4 / 0 – 1.0	0.001 / 0.00005	0.003	0.06	< 1.50	✓	60	110	on request
242164	0 – 50.8 / 0 – 2.0	0.01 / 0.0005	0.010	0.030	< 1.50	✓	85	155	on request
242057	0 – 50.8 / 0 – 2.0	0.001 / 0.00005	0.003	0.05	< 1.50	✓	90	160	on request
242162	0 – 50.8 / 0 – 2.0	0.001 / 0.00005	0.03	0.08	< 1.50	✓	85	155	on request